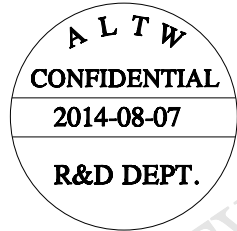
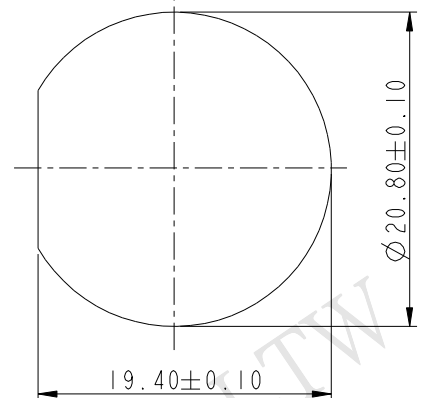
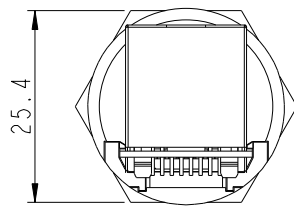
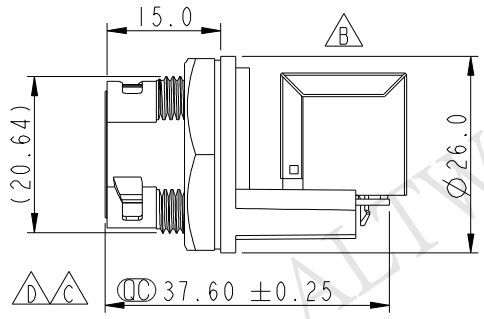
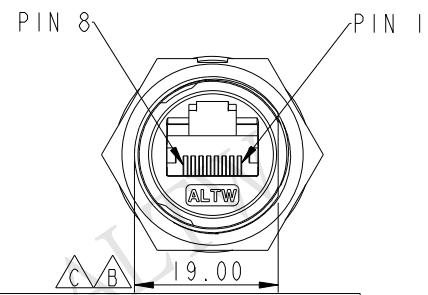
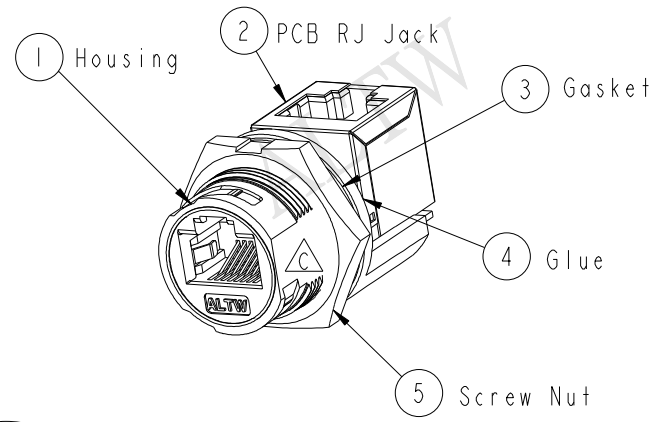
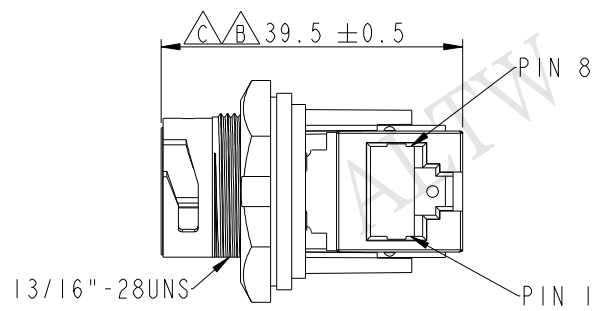


REV.	ECN NO.	DATE	SIGN	DESCRIPTION
C	LEN1440163	2014-04-15	Tom_gu	Change D Cut
D		2014-08-07	Feng_Li	Change Size



- Note:
- \*  $\text{CC}$  Important Dimension
  - \* Waterproof Rate : IP67 Unmated
  - \* Housing : Nylon+GF,UL 94V-0,BLACK
  - \* Screw Nut : Nylon+GF,BLACK
  - \*  $\triangle B$  Gasket : Silicone,UL 94V-0,Gray.
  - \* PCB: FR-4
  - \* Jack : PBT Polyester UL 94V-0
  - \*  $\triangle B$  Use without Waterproof cap or Dust cap For Panel Thickness Max: 4.2mm
  - \* Use with Waterproof cap or Dust cap For Panel Thickness Max: 3.0mm
  - \*  $\triangle B$  Screw torsion value range: 8~12kgf-cm

UNIT : mm	
TOLERANCE	
.X	± 0.25
.XX	± 0.1
.XXX	± 0.05
ANGLES	± 1°

TITLE RJ45,C SIZE,WATERPROOF			
SCALE 1:1	SIZE A4	SHEET 1 OF 1	
REV. D	WC-REV. B.3	$\text{CC}$ : Inspection item	

**Amphenol LTW**  
安費諾亮泰企業股份有限公司

ITEM NO RCP-5SPFFV-TCU7001	DRAWN BY Feng_Li	DATE 2014-08-07
DWG NO RCP-5SPFFV-TCU7001	CHECKED BY Tom_gu	DATE 2014-08-07
CUSTOMER ALTW	APPROVED BY Jerry	DATE 2014-08-07

THIS DOCUMENT IS SUBJECT TO CHANGE WITHOUT NOTICE. IT IS CONFIDENTIAL AND A PROPERTY OF AMPHENOL LTW. DISCLOSURE TO THIRD PARTY HAS TO BE AUTHORIZED BY AMPHENOL LTW.